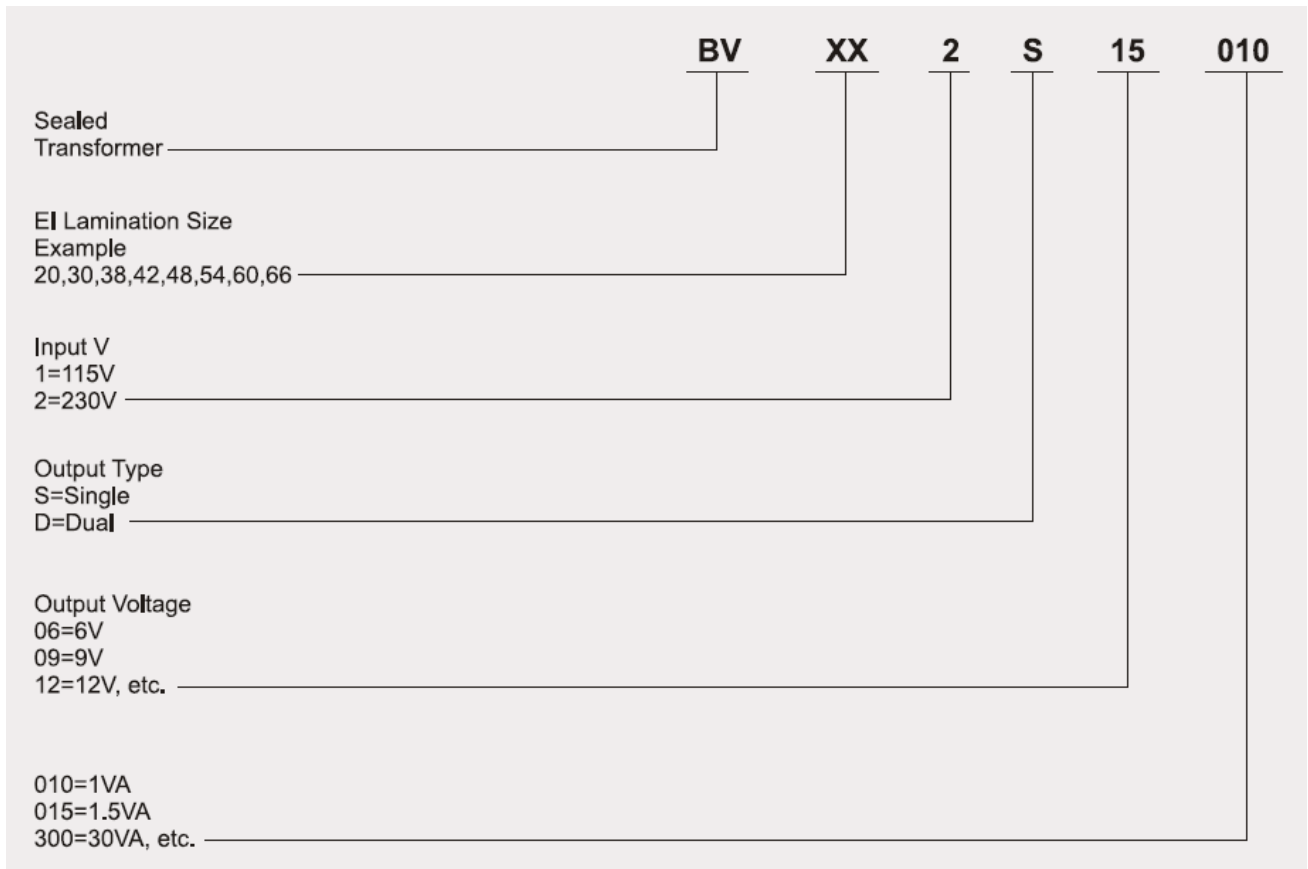


### 3.2VA SEALED TRANSFORMER EI38X13.6 SERIES



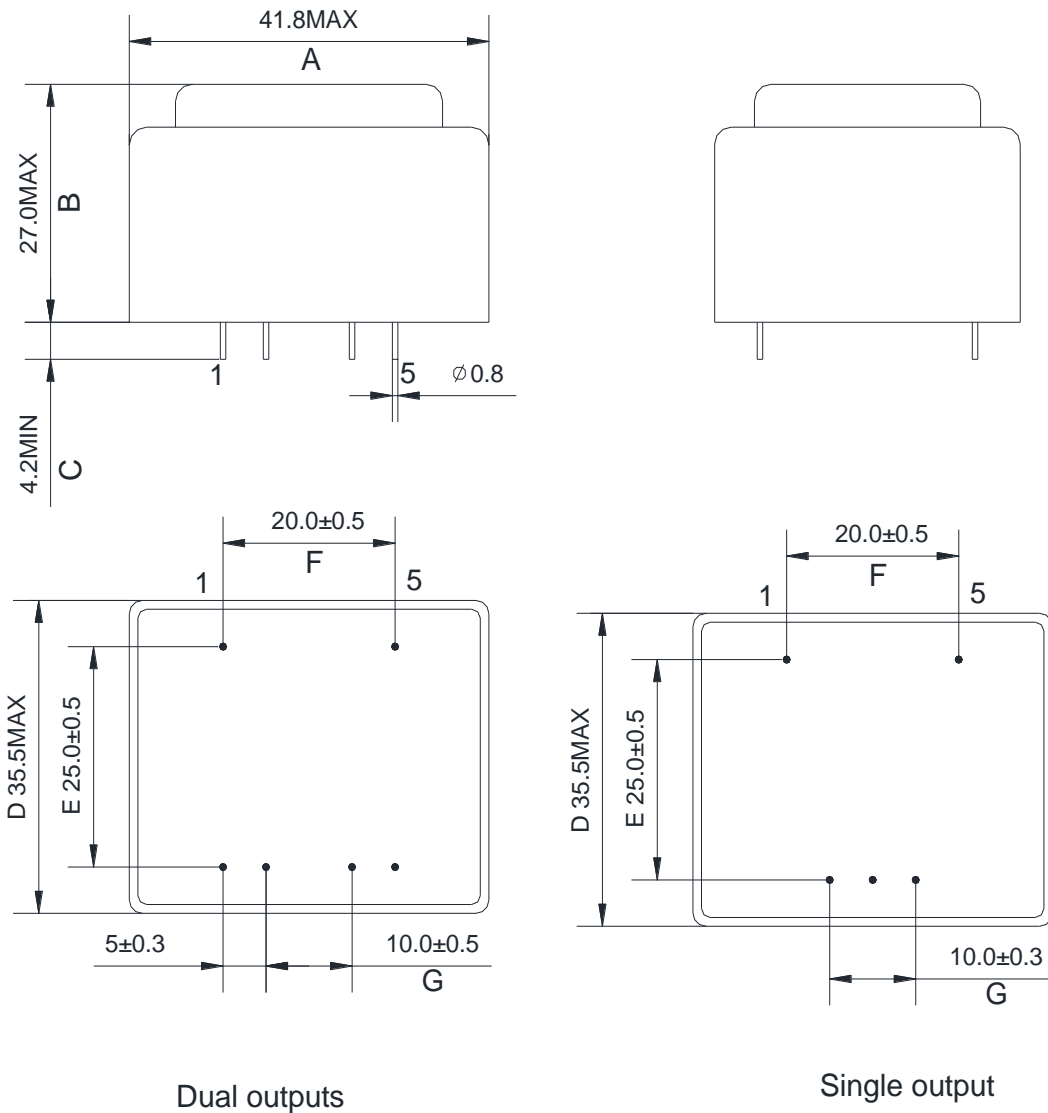
#### ORDERING CODE



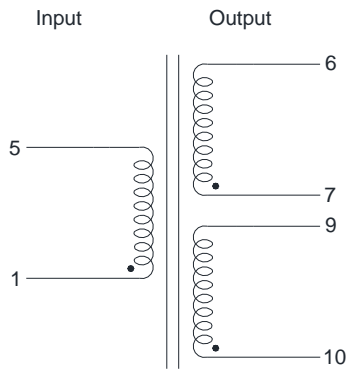
### FEATURES

- VDE CQC Approved:  
VDE file No.40032536  
CQC file No.CQC 1001054660
- Vacuum Filling
- Split Bobbin Design
- Self-Extinguishing Plastics UL94V-0
- Dielectric Strength:  
INPUT:230V 4200Vrms  
INPUT:115V 2800Vrms
- Operation Frequency:50/60Hz
- Resin Class B IEC 85  
(20,000 h Testing to IEC 216)
- 100% Production Tested

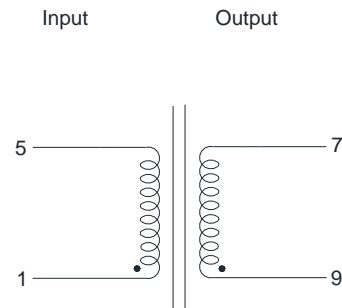
### OUTLINE DIMENSIONS



### SCHEMATIC DIAGRAM:



Dual outputs



Single output

### ELECTRONIC SPECIFICATIONS

Secondary Protection (mA)	Order Number	Input Voltage (V)	SEC. Voltage (V)	Rated Current (mA)	Rated Power (VA)	No-load Voltage (V)	Ambient TEMP. (°C)	Weight (g)	Certificate			
									VDE	UL	CQC	CE
T630	BV381S06032	115V	6	533	3.2	8.0	T70B	148	●		●	●
T400	BV381S09032	115V	9	356	3.2	12.0	T70B	148	●		●	●
T400	BV381S10032	115V	10	320	3.2	14.0	T70B	148	●		●	●
T315	BV381S12032	115V	12	267	3.2	16.0	T70B	148	●		●	●
T250	BV381S15032	115V	15	213	3.2	20.0	T70B	148	●		●	●
T200	BV381S18032	115V	18	178	3.2	24.1	T70B	148	●		●	●
T160	BV381S24032	115V	24	133	3.2	32.4	T70B	148	●		●	●
T315	BV381D06032	115V	2x6	2x267	3.2	2x8	T70B	148	●		●	●
T200	BV381D09032	115V	2x9	2x178	3.2	2x12	T70B	148	●		●	●
T200	BV381D10032	115V	2x10	2x160	3.2	2x14	T70B	148	●		●	●
T160	BV381D12032	115V	2x12	2x133	3.2	2x16	T70B	148	●		●	●
T125	BV381D15032	115V	2x15	2x107	3.2	2x20	T70B	148	●		●	●
T100	BV381D18032	115V	2x18	2x89	3.2	2x24.1	T70B	148	●		●	●
T80	BV381D24032	115V	2x24	2x67	3.2	2x32.4	T70B	148				●
T630	BV382S06032	230V	6	533	3.2	8.0	T70B	148	●		●	●
T400	BV382S09032	230V	9	356	3.2	12.0	T70B	148	●		●	●
T400	BV382S10032	230V	10	320	3.2	14.0	T70B	148	●		●	●
T315	BV382S12032	230V	12	267	3.2	16.0	T70B	148	●		●	●
T250	BV382S15032	230V	15	213	3.2	20.0	T70B	148	●		●	●
T200	BV382S18032	230V	18	178	3.2	24.1	T70B	148	●		●	●
T160	BV382S24032	230V	24	133	3.2	32.4	T70B	148	●		●	●
T315	BV382D06032	230V	2x6	2x267	3.2	2x8	T70B	148	●		●	●
T200	BV382D09032	230V	2x9	2x178	3.2	2x12	T70B	148	●		●	●
T200	BV382D10032	230V	2x10	2x160	3.2	2x14	T70B	148	●		●	●
T160	BV382D12032	230V	2x12	2x133	3.2	2x16	T70B	148	●		●	●
T125	BV382D15032	230V	2x15	2x107	3.2	2x20	T70B	148	●		●	●
T100	BV382D18032	230V	2x18	2x89	3.2	2x24.1	T70B	148	●		●	●
T80	BV382D24032	230V	2x24	2x67	3.2	2x32.4	T70B	148				●